



APPROACH & *APPROACH*
Autograph *Compact*
ALU-Tech Bodyshell ALU-Tech Bodyshell



www.baileyofbristol.co.uk

APPROACH

Autograph

Alu-Tech Bodyshell

&

APPROACH

Compact

Alu-Tech Bodyshell

Bailey Motorhomes

- choose a new direction

Since its entry into the motorhome market two years ago Bailey of Bristol has quickly established a reputation for building vehicles which provide a unique combination of superior performance, award-winning design and unbeatable value for money.

Our second generation ranges, the Approach Autograph & the Approach Compact, take this successful formula a stage further by broadening the overall appeal of our motorhomes and thus making them an attractive proposition to a wider audience.

Alu-Tech

Model: Approach Autograph 745



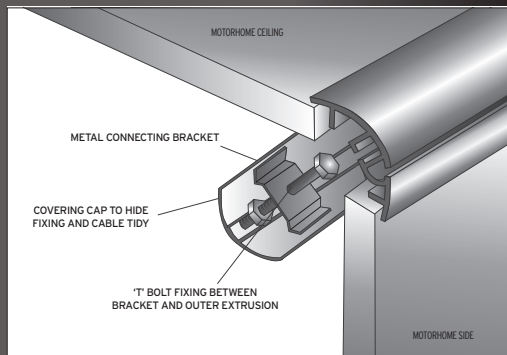


What makes our motorhomes different?



All Bailey motorhomes are coach-built using the high performance Alu-Tech construction system, seen by many leading observers as the most significant development in leisure vehicle production technology for over thirty years.

Providing genuine design innovation it is a construction system so unique that it has five new patents registered and one which has required the creation of over one hundred new bespoke component parts to build it. As a result Bailey leisure vehicles are now some of the best engineered and the most technically advanced products on the market and ones which offer real and tangible benefits of ownership to our customers. Most notably these include:



THERMAL PERFORMANCE

Thicker body shell panels featuring superior grade polystyrene, plus additional localised insulation in traditional cold spot areas have greatly enhanced the thermal properties of the vehicle. As a result all of our motorhomes built using the Alu-Tech construction system have achieved the Grade III Classification of Thermal Insulation for EN1646-1, keeping you warm in winter and cool in summer, as well as making your vehicle more economical to own.

STRUCTURAL INTEGRITY

Engineered to ensure it remains weatherproof and structurally sound, the Alu-Tech body shell sets new standards in durability. Starting with an interlocking aluminium framework that cuts the number of external joints and fixing points by 90%, every conceivable effort has been made to reduce the number of potential water access points and thus improve the overall integrity of the protective shell. While timber free body shell panels featuring a composite plastic internal skeleton offer a second line of defence, limiting the impact any possible ingress may cause. The bodyshell assembly, including the interface sections between cab and habitation area, consists solely of fully laminated panels cloaked in a GRP outer skin enhancing the strength and rigidity of the structure.

The resulting leisure vehicles have been subjected to a continuous series of accelerated life and structural crash tests as well as a climate control chamber examination at the renowned Millbrook Proving Ground to ensure that every aspect of the design has been thoroughly evaluated.

To date over 25,000 caravans and motorhomes have been built using this ground-breaking technology.

For more information on the Alu-Tech construction system and Bailey's on-going product development programme please visit www.baileyalu-tech.co.uk



Alu-Tech



On the road...

Designed to be driven all Approach models are powered by a 2.2 Hdi 130 bhp engine complete with a 6-speed manual gearbox housed in a Peugeot Boxer Euro 5 cab and thus benefit from the resulting improvements in performance and reduction in vehicle emissions.

The fully-specified cab is matched with a new ultra-low profile lightweight AL-KO AMC chassis which, with its lower centre of gravity, provides a more balanced weight distribution that improves road holding and braking efficiency as well as allowing for increases in user payloads and improving access in and out of the vehicle via a low level entrance step.

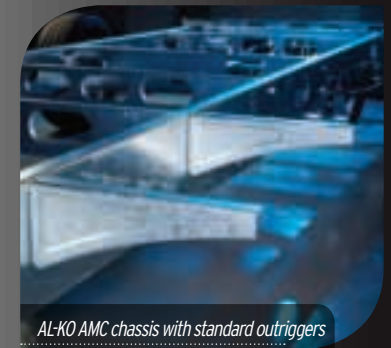
Safety considerations remain of paramount importance and thought has been given to this aspect of the design throughout the vehicle, as highlighted by the fitment of dual air bags in the front cab of all models, Michelin premium tyres and a spare wheel housed in an automotive style floor mounted wind down carrier. In addition following the successful completion of the crash test research programme at the Millbrook Proving Ground additional strengthening has been made to the floor and furniture in the dedicated rear passenger areas to enhance the effectiveness of the fitted three point seat belts (model specific).



Fully adjustable front swivel seats with twin arm rests



Peugeot 2.2 Hdi 130 bhp engine



AL-KO AMC chassis with standard outriggers



On arrival...

As practical as they are comfortable these well thought-out motorhomes include a variety of new features designed to make your life easier. Models now come supplied with a high performance 110Ah auxiliary Banner leisure battery, housed in a convenient new under floor storage compartment, to give greater independence away from a mains power source. Whilst a 90/100 litre* fully insulated external fresh water tank and matching 90/100 litre* waste tank offer continuous supply for extended periods and in extreme weather conditions.

A new fully-specified Alde radiator heating system, complete with a new digital control panel, has also been added to the equipment list to provide programmable heating en-route or on site - which combined with the superior thermal performance of the Alu-Tech bodyshell makes Approach motorhomes the ultimate four-season vehicles.

** 100 litre water and waste tank in Approach Autograph models and a 90 litre water and waste tank in Approach Compact models*



Banner leisure battery



Alde heating digital control panel



Alde radiator heating system



Interior service access hatch

APPROACH

Autograph

Alu-Tech Bodyshell

Bailey Approach Autograph *- the height of refinement*

With the introduction of the Approach Autograph the Bailey motorhome really has come of age. Featuring a level of refinement which only experience can bring this new range benefits from enhanced specification levels, a striking new look both inside and out, whilst at the same time retaining the popular key elements of its predecessor.

Thanks to our trademark value for money policy all models are available at very competitive on the road prices, meaning that the new Approach Autograph puts a premium product within reach of many more people allowing them to experience the very best in motorhome design for the first time.

Alu-Tech

Model: Approach Autograph 745





Approach Autograph on holiday...

This eye-catching new range is available in a choice of five contrasting layouts including three established best-sellers (625, 740 and 745) plus two exciting new additions. The four berth 750 is a continental favourite with a British twist and features a large front lounge, central kitchen and washroom plus raised rear fixed single beds with garage storage underneath. In contrast the one-of-a-kind 765 is a genuine low-profile six-berth family motorhome which includes a spacious rear lounge, central kitchen and washroom plus a totally unique longitudinal drop-down bed located over a double front dinette.

Interior decor, featuring the trademark Bailey Walnut finish, has been expertly refined with new cabinetry featuring elegant curved profiles, dual-finish locker doors, high gloss worktops and polished chrome fittings to enhance the feeling of quality. While new design elements such as the ergonomic kitchen units with contrasting overhead locker system plus the additional new ambient and task lighting give the Approach Autograph range the all important wow factor.

Each model comes with a choice of either Trafalgar or Piccadilly luxurious soft furnishing options, featuring superior construction and premium quality fabrics, both of which are supplied with co-ordinating curtains and a pair of reversible scatter cushions.



Approach Autograph 765 longitudinal drop down bed (bed linen available as a cost option)



Model: Approach Autograph 740 in standard Trafalgar upholstery



Model: Approach Autograph 745 in optional Piccadilly upholstery (bed linen available as a cost option)

Approach Autograph on holiday...

As people have come to expect from Bailey, models are extremely well specified and are packed with all the home comforts owners will need for relaxing and enjoyable holidays. Notably they include fully equipped kitchens, featuring the new Thetford Caprice combination anti-rattle oven with a dual-fuel hob including an electric hotplate, and cleverly designed washrooms all of which contain a separate fully lined cubicle containing an energy-saving EcoCamel shower.



Approach Autograph 765 washroom



Approach Autograph 740 kitchen





APPROACH Compact

Alu-Tech Bodyshell

Bailey Approach Compact

- let your adventures begin

A new type of motorhome, the Approach Compact shares many of the practical advantages of a panel van conversion, such as ease of use and lower running costs, but with the design flexibility and extra interior space found in a coachbuilt motorhome to create a genuinely different vehicle ideally suited for the modern day adventurer.

Allowing you to enjoy all that is good about a Bailey motorhome Compact provides superior performance, stylish yet practical exterior and interior design plus the enhanced levels of comfort and convenience provided by a five-star product specification. Add to this its unique versatility, being equally at home either as a leisure vehicle or as a simple means of transport, and you can begin to see why it really does represent a totally new approach to travel.

Alu-Tech

Model: Approach Compact 520

Approach Compact on holiday...

Compact by name and compact by nature with the 5.99m long and 2.35m wide body shell making these motorhomes easy to drive, easy to park and easy to own. Inside clever use of this space has resulted in two practical layouts which are ideally suited for people with active lifestyles. The two berth Compact 520 features a front lounge, central kitchen and washroom plus a raised rear fixed double bed with garage storage underneath. In contrast the three berth Compact 540 has a full width end washroom, central kitchen and an L-shape front lounge with drop down bed located above.



Approach Compact 540 - Ceiling mounted double drop down bed



Approach Compact 520 - Rear storage garage



Model: Approach Compact 520 in optional Piccadilly upholstery (bed linen available as a cost option)



Model: Approach Compact 540 in standard Trafalgar upholstery



Approach Compact 520 kitchen



Approach Compact 540 washroom

Approach Compact on holiday...

Taking design cues from its sister Approach Autograph range the Compact features the same contemporary interior styling with the signature Bailey Walnut furniture finish, high gloss worktops and polished chrome fittings plus a choice of either Trafalgar or Piccadilly luxurious soft furnishing options.

Providing comfort and practicality in equal measure models include many features normally only found in larger and more expensive vehicles to ensure that you will have everything you will need for anything from a weekend break to an extended holiday.





VEHICLE CONSTRUCTION

Peugeot Boxer Cab

Peugeot 3 year / 100,000 mile warranty • Peugeot Assist Cover for 12 months • Peugeot 2.2 Hdi (High Pressure Direct Injection) 130 BHP engine with six speed manual gear box • NEW graphite cab with colour coded bumpers • Remote central locking for cab and habitation door • Electric windows • Electric heated wing mirrors with direction indicators • Variable power steering • Anti-lock braking system (ABS) • Electronic Brake Force Distribution (EBFD) • Emergency Brake Assist (EBA) • Engine immobiliser • Cruise control • Cab air conditioning • Driver and front passenger airbags • Fully adjustable upholstered driver and passenger seats with twin armrests • NEW map pockets on back of cab seats • Remis concertina windscreen and side window blinds • Removable cab carpet • Radio & CD Player (MP3 compatible) and 2 door speakers

AL-KO AMC Chassis

New ultra-low profile wide track AL-KO AMC Chassis (Autograph only) • New ultra-low profile AL-KO AMC Chassis (Compact only) • NEW wind down floor mounted spare wheel carrier and spare wheel • Chassis prepared for towbar fitment • Michelin premium branded tyres

Alu-Tech Bodyshell Habitation Area

Supplied with a 6-year transferable body shell integrity guarantee and a 3-year transferable manufacturers components warranty* • 4-year transferable extension to bodyshell integrity guarantee available as a cost option (making 10 years in total)* • 3-year transferable extension to manufacturers component warranty available as a cost option (making 6 years in total)* • EN-1646 Grade III classification for heating and thermal insulation

Construction

Structural interlocking aluminium extrusion external framework with no external fixing points for additional strength and rigidity • Four part fully bonded exterior panel assembly system featuring: Upper body panels manufactured using superior bead application laminating technology for a stronger more consistent bond • Upper body panels built using a timber free construction, incorporating a composite plastic internal skeleton, a high density polystyrene insulation and a GRP inner wall lining • Upper body panels cloaked in a single sheet impact resistant GRP outer skin for extra durability • Strengthened floor panel with GRP underside protection • NEW aero-dynamic & aesthetically enhanced front and rear bodyshell profiles • NEW 'Polar white' bodyshell colour and co-ordinating graphics scheme



Safety & Security

AL-KO outriggers fitted to AMC Chassis for enhanced floor strength • 3-point seat belts on all designated travelling seats (520,540,745,750,765) • NEW design designated travel seat head rests (540,765) • Steel frame seat base supports for all designated travelling seats (520,540,745,750,765) • Steel framed seat base tops with Velcro base cushion fastenings for all designated travelling seats (520,540,745,750,765) • Steel framed structural bulkhead to support all rear-facing designated travelling seats (765) • Dedicated storage location for both free-standing & wall mounted tables • High security door lock • Smoke alarm • Carbon monoxide alarm

EXTERIOR FEATURES

NEW Dometic slim line flush fit habitation door with window, blind and bin plus a gas-strut assisted mechanism for smooth operation • NEW Dometic pleated full length door flyscreen • NEW low level insulated habitation door well step with non-slip mat, grab handle, curtain heater (Autograph only) & courtesy light • NEW Polyplastic double glazed opening skylight with Remis night blind in front dome • Mini Heki roof light located over front lounge (model specific) & central kitchen • Midi Heki roof light located over rear lounge or bedroom (model specific) • Polyplastic double glazed windows throughout with night latch ventilation • NEW Remis pleated flyscreens and blinds to all principal windows • NEW Remis splash proof blinds for kitchen & washroom windows • Centrally mounted easy access exterior gas locker compartment with capacity to store 2 x 10kg bottles • Propane/Butane en-route crash sensor gas 30mb regulator mounted in gas locker compartment • NEW enlarged underbed storage area with larger exterior access doors (740,745) • NEW dedicated under floor storage area suitable for folding chairs and BBQs with exterior access (625,765) • NEW rear storage garage with large exterior access door and bicycle fixing rails (750,520) • NEW exterior 230v power inlet • NEW Vision Plus satellite connection provision • Fixing points for rear mounted cycle rack • Fixing points for exterior ladder and roof rack (retailer fit required)



INTERIOR FEATURES

Space

NEW internal headroom of up to 2.10m (6'9") • Internal body width of 2.27m (7'5") - Autograph only • Internal body width of 2.08m (6'8") - Compact only

Furniture & Soft Furnishings

Bailey 'Walnut' furniture finish • NEW contrasting finish on kitchen cabinetry & overhead locker doors • NEW dual finish Italian design overhead locker doors • NEW high gloss kitchen & washroom worktop finish • NEW premium quality fixtures and fittings in polished chrome finish • NEW design slide out bed boxes for easy bed make up (740,745,750) • Roller slats for easy bed make up (625,765) • NEW drop down flaps on front bed box fascias for enhanced accessibility (540,740, 745,750) • NEW deep-fill bed boxes with enhanced storage capacity (625,765) • NEW sprung beech bed box tops for additional comfort • NEW electric operated ceiling mounted drop down double bed with sprung base (540,765) • NEW design fixed double beds with aluminium frames & gas strut assisted opening mechanism (740,745) • Free standing and/or wall mounted table (both tables in 765) • Aircraft style overhead locker system with split level storage, domestic style metal hinges and positive door catches • Structural locker dividers with greater load bearing capacity • NEW standard 'Trafalgar' soft furnishings with co-ordinating curtains and two reversible scatter cushions • NEW optional 'Piccadilly' leatherette soft furnishings with co-ordinating curtains and two reversible scatter cushions • Fully sprung upholstery featuring premium quality fabrics, high density filling and superior cushion construction • De-Luxe sprung double bed mattresses (740,745) • NEW Foam filled double and single bed mattress on a sprung base (520,540,750,765) • NEW 'Bamboo' finish high impact scratch resistant floor vinyl • NEW under floor dedicated storage area suitable for footwear (625,750,765) • Split section loose fit drop in carpets (50 oz pile density)

SERVICES

NEW Alde Hydronic Compact 3010 programmable radiator heating system with combined water heating • NEW Alde touch screen user-friendly control panel • NEW washroom radiator • NEW premium 110 ampere/hour Banner leisure battery • NEW dedicated under floor twin leisure battery storage locker (one leisure battery supplied as standard specification) • Digital electrical control panel with touch screen operation • NEW 12v ambient and task lighting fittings throughout • NEW additional ambient over locker and under kitchen worktop lighting (Autograph only) • NEW additional low level night lights • 230v power supply with up to five interior sockets • Up to two TV stations with 230v/12v/aerial sockets • Domestic style consumer unit with dedicated access door • Switch mode battery charger with 20 amps output • RCD/MCD protection for mains electric system • 25 metre mains connecting lead • Branded dual cone stereo speakers for superior sound quality • Pre-Wired for satellite and aerial connection and rear view camera. • Floor mounted Whale Aqua smart II on-board water pump with Aquasource layflat filling pipe • Pressurised hot and cold fresh water system with self priming pump • Rigid pipe waste plumbing system • 90/100 litre external insulated fresh water tank with baffles and level sensor (Compact/Autograph models) • Fresh water tank heater for winter protection and overflow • 90/100 litre external waste water tank with baffles and level sensor (Compact/Autograph models)

KITCHEN EQUIPMENT

Dometic 80 litre refrigerator with electronic ignition and detachable full width freezer compartment. Capacity increases to 85 litres when freezer compartment is removed (520) • Dometic 103 litre refrigerator with electronic ignition and detachable full width freezer compartment. Capacity increases to 110 litres when freezer compartment is removed (625,750,765) • Dometic 117 litre refrigerator with electronic ignition and detachable full width freezer compartment. Capacity increases to 145 litres when freezer compartment is removed (540,740,745) • NEW Thetford Caprice anti-rattle combined oven, grill and hob with electronic ignition and flame failure device (Autograph only) • NEW dual-fuel hob with electric hotplate and 3 gas burners (Autograph only) • NEW Thetford Duplex anti-rattle combination oven and grill (Compact only) • NEW Thetford 3-burner gas hob incorporating flush fitting glass hinged lid and conveniently located controls (Compact only) • Stainless steel 800 watt microwave oven conveniently located at eye level (Autograph only) • NEW stainless steel circular kitchen sink with mixer tap, circular washing up bowl, drainer and chopping board

WASHROOM EQUIPMENT

Thetford C-260 cassette toilet with integrated header tank • Inboard shower unit with ceramic ball mixer tap and Ecocamel shower head • Fully lined separate shower cubicle with bi-fold partition door (shower curtain fitted in 520) • Washroom hand basin with ceramic ball mixer tap

**Terms and conditions apply. Please visit the Vehicle Warranty Section on www.baileyofbristol.co.uk for more information.*



APPROACH
Autograph 625



APPROACH
Autograph 740



APPROACH
Autograph 745



APPROACH
Autograph 750



APPROACH
Autograph 765



APPROACH
Compact 520



APPROACH
Compact 540



Technical specification

	625	740	745	750	765	520	540
Peugeot Engine	130bhp	130bhp	130bhp	130bhp	130bhp	130bhp	130bhp
Engine Capacity	2198cc	2198cc	2198cc	2198cc	2198cc	2198cc	2198cc
Engine Power	130bhp @ 3500rpm	130bhp @ 3500rpm	130bhp @ 3500rpm	130bhp @ 3500rpm	130bhp @ 3500rpm	130bhp @ 3500rpm	130bhp @ 3500rpm
Engine Torque	320Nm @ 2000rpm	320Nm @ 2000rpm	320Nm @ 2000rpm	320Nm @ 2000rpm	320Nm @ 2000rpm	320Nm @ 2000rpm	320Nm @ 2000rpm
Roof Profile	Low Profile	Low Profile	Low Profile	Low Profile	Low Profile	Low Profile	Low Profile
Chassis	AL-KO AMC	AL-KO AMC	AL-KO AMC	AL-KO AMC	AL-KO AMC	AL-KO AMC	AL-KO AMC
Thermal Insulation Grade	3	3	3	3	3	3	3
Designated Travelling Seats	2	2	4	4	6	4	4
Berths	2	4	4	4	6	2	3
Overall Length	6.640m / 21'9"	7.450m / 24'5"	7.450m / 24'5"	7.450m / 24'5"	7.450m / 24'5"	5.999m / 20'0"	5.999m / 20'0"
Overall Body Width (Inc marker lights & exc mirrors)	2.412m / 7'11"	2.412m / 7'11"	2.412m / 7'11"	2.412m / 7'11"	2.412m / 7'11"	2.346m / 7'7"	2.346m / 7'7"
Overall Height	2.785m / 9'2"	2.785m / 9'2"	2.785m / 9'2"	2.785m / 9'2"	2.785m / 9'2"	2.785m / 9'2"	2.785m / 9'2"
Tyre Size	215/70 R15 L1109Q	215/70 R15 L1109Q	215/70 R15 L1109Q	215/70 R15 L1109Q	215/70 R15 L1109Q	215/70 R15 L1109Q	215/70 R15 L1109Q
MTPLM	3500kg / 68.9cwt	3500kg / 68.9cwt	3500kg / 68.9cwt	3850kg / 75.8cwt	3850kg / 75.8cwt	3500kg / 68.9cwt	3500kg / 68.9cwt
MRO	2995kg / 59.0cwt	3042kg / 59.9cwt	3129kg / 61.6cwt	3141kg / 61.8cwt	3217kg / 63.3cwt	2737kg / 53.9cwt	2741kg / 54.0cwt
Total User Payload	505kg / 9.9cwt	458kg / 9.0cwt	371kg / 7.3cwt	709kg / 14.0cwt	633kg / 12.5cwt	763kg / 15.0cwt	759kg / 14.9cwt
Maximum Recommended Trailer Weight	2000kg	2000kg	2000kg	1650kg	1650kg	2000kg	2000kg
Gross Train Weight	5500kg	5500kg	5500kg	5500kg	5500kg	5500kg	5500kg
Fresh Water Tank	100 litre	100 litre	100 litre	100 litre	100 litre	90 litre	90 litre
Waste Water Tank	100 litre	100 litre	100 litre	100 litre	100 litre	90 litre	90 litre
Gas Locker Capacity	2 x 10kg	2 x 10kg	2 x 10kg	2 x 10kg	2 x 10kg	2 x 10kg	2 x 10kg
Bed Sizes							
Front Double	-	1.224m x 2.250m (4'0" x 7'4")	1.210m x 2.240m (3'11" x 7'4")	1.077m x 1.840m (3'6" x 6'0")	1.030m x 1.840m (3'4" x 6'0")		
Front N/S Single	-	-	-	-			
Front O/S Single	-	-	-	-			
Front Transverse single							2.250m x 0.630m (7'4" x 2'1")
Rear Double	2.210m x 1.800m (7'3" x 5'10")	1.980m x 1.350m (6'5" x 4'5")	1.980m x 1.350m (6'5" x 4'5")	-	2.200m x 1.790m (7'2" x 5'10")	2.020m x 1.370m (6'6" x 4'5")	
Rear N/S Single	1.800m x 0.710m (5'10" x 2'4")	-	-	0.780m x 1.850m (2'6" x 6'1")	1.800m x 0.710m (5'10" x 2'4")		
Rear O/S Single	1.800m x 0.710m (5'10" x 2'4")	-	-	0.780m x 1.810m (2'6" x 5'11")	1.800m x 0.710m (5'10" x 2'4")		
Drop down Double	-	-	-	-	1.230m x 1.835m (4'0" x 6'0")*		1.950m x 1.540m (6'4" x 5'0")*

*Drop down double beds have a maximum load capacity of 200kg



🌐 www.baileyofbristol.co.uk

📍 South Liberty Lane, Bristol BS3 2SS, England

☎ +44 (0)117 966 5967

This brochure does not constitute an offer by Bailey Caravans Ltd (Bailey). Bailey reserves the right to alter specifications and prices as market and supply conditions demand. Your Bailey retailer will confirm all specification details prior to you making your purchasing decision. E. & O. E. Bailey retailers sell our products of their own choice and not as agents of Bailey. Accordingly they have no authority to bind Bailey or to make any representation or undertaking whatsoever on behalf of Bailey. All household items illustrated in this brochure are used to enhance photography and are for display purposes only. They are not supplied with your motorhome. Photographic colour reproduction is subject to the limitations of the production process.

Design & Print: Kingsdown Photography: Alan Bond Issued: October 2013
Thank you to Scott Sports for the loan of the bicycle equipment www.scott-sports.com

